

Model Selection

Model No.	Output Rail	Load				Initial Accuracy*	Ripple & Noise	Load Regulation	Efficiency
		Min	Rated	Max	Peak				
SNP-9546-M1	+5V	0A	8A	10A	12A	+4.95V~+5.05V	50mV	±1%	70%
SNP-9547-M1	+12V	0A	3.3A	4.1A	5A	+11.9V~+12.1V	100mV	±1%	70%
SNP-9548-M1	+15V	0A	2.6A	3.3A	4A	+14.85V~+15.15V	100mV	±1%	70%
SNP-9549-M1	+24V	0A	1.7A	2A	2.5A	+22.8V~+25.2V	240mV	±1%	70%
SNP-9541-M1	+5V	0A	3A		6A	+4.95V~+5.05V	50mV	±3%	70%
	+12V	0A	2A		4A	+11.4V~+12.6V	100mV	±4%	
	-12V	0A	0.3A		0.5A	-11.4V~-12.6V	100mV	±7%	

General Specifications

– Input & Output –		– Environmental –	
Input voltage range	85VAC to 264VAC	Operating temperature	0°C to +50°C
Label voltage	100VAC to 240VAC	Cooling	Rated load with Convection cooling
Nominal line voltage	115VAC/230VAC		Max Load with 20CFM forced air cooling
Input frequency range	47Hz to 63Hz	Storage temperature	-40°C to +85°C
Inrush current*	<30A at 115VAC, <60A at 230VAC	Relative humidity	10% to 95% RH, non-condensing
Line regulation	<±1% (for single output models)	Operating altitude	0 to 2000m
Hold-up time	20ms typ.		
– Protection –		– EMC –	
Over Voltage*	Latch-off	Emission	FCC/CISPR, level B
Over Load/Short	Auto-recovery		
		– Safety –	
		Approvals	60601-1
		Ground leakage current	<100uA (at 244VAC input)

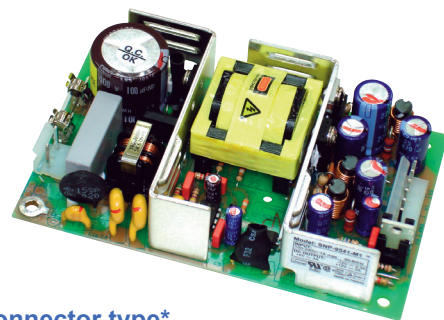
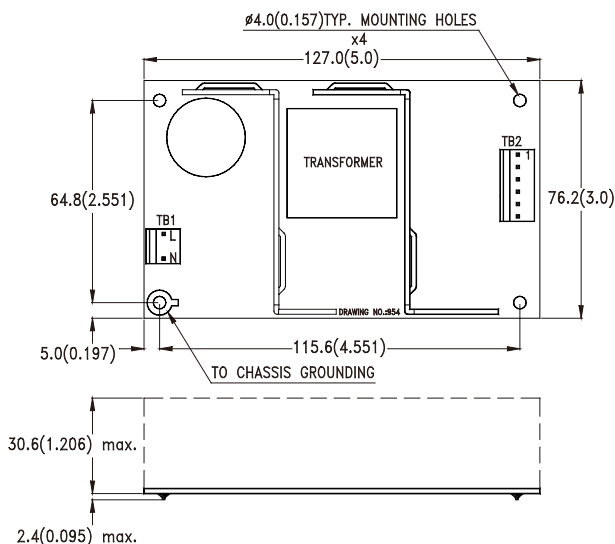
Notes

- All specifications without special notes are defined at nominal line, rated load and 25°C.
- Initial accuracy is set at 60% rated load and 115VAC input.
- Ripple & Noise is defined with 15MHz BWL oscilloscope and 1X probe with 0.47uF output capacitor.
- Inrush current is defined at 25°C cold start and EMI capacitors are excluded.
- Over voltage protection mode is defined at 60% rated load.
- All specifications subject to change without notice.
- This datasheet is only for model selection. Please contact sales@skynetpower.com.tw for formal specification.



Output Pin

Pin No.	1	2	3	4	5	6
SNP-9541-M1	+12V	+5V	+5V	GND	GND	-12V
Other models	+V	+V	+V	GND	GND	GND



Connector type*

- AC input : Molex 5277-02A
- DC output : Molex 5273-06A

Dimensions

- WxLxH : 3" x 5" x 1.206"
76.2 x 127 x 30.6 (mm)

Packing

- Net weight : 250g approx./unit
- Carton size (mm) : 397(L) x 339(W) x 327(H)
- Quantity : 48 units / carton
- Gross weight : 14kg approx./carton

Notes

- For all connectors, equivalent types from other vendors could be used.
- Tolerance for dimension is ± 0.4 mm.
- This product is RoHS compliant.