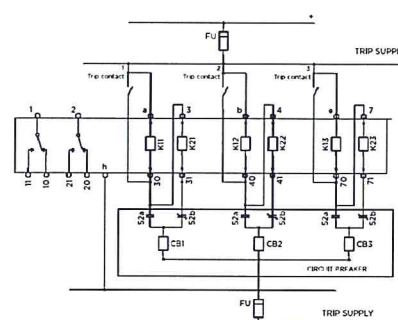
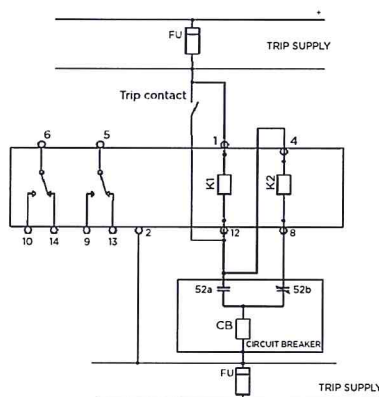


TRIP CIRCUIT SUPERVISION RELAYS

Model	VDF-10	VDJ-30
Applications	Trip circuit supervision for single-phase circuit breakers	Trip circuit supervision for three-phase circuit breakers
Construction characteristics		
Timing Contacts no.	2 Changeover	2 Changeover



Connections



Options	With OP options. See model selection table.	Options are not available.
Weight (g)	100	163
Dimensions (mm)	(A) 42,5 x (B) 50,4 x (C) 96,6 (F large Type)	(A) 82,5 x (B) 50,4 x (C) 96,6 (J large Type)
Coil characteristics		
Standard voltages ⁽¹⁾	24/30, 60, 110/125, 220 Vdc, 110/127, 230 Vac (50-60 Hz)	
Voltage range	+10% -25% U _N	
Pick-up voltage (23° C)	70% U _N	
Release voltage (23° C)	60% U _N	
Consumptions	1,35 W	1,6 W
Operating time		
Drop-out time	>500 ms	
Contacts		
Contact material	AgNi	
Permanent current	8 A	
Instantaneous current	15 A	
Max. making capacity	15 A during 4 s	
Max. breaking capacity	0,3 A / 110 Vdc	
U _{max} opened contact	250 Vdc / 400 Vac	
Performance data		
Mechanical endurance	10 ⁷ operations	
Operating temperature	-40°C +55°C	
Storage temperature	-40°C +85°C	
Max. operating humidity	93% / +40°C	
Operating altitude ⁽²⁾	<2000 m	

⁽¹⁾ Other voltage upon request

⁽²⁾ Ask for higher altitudes

